

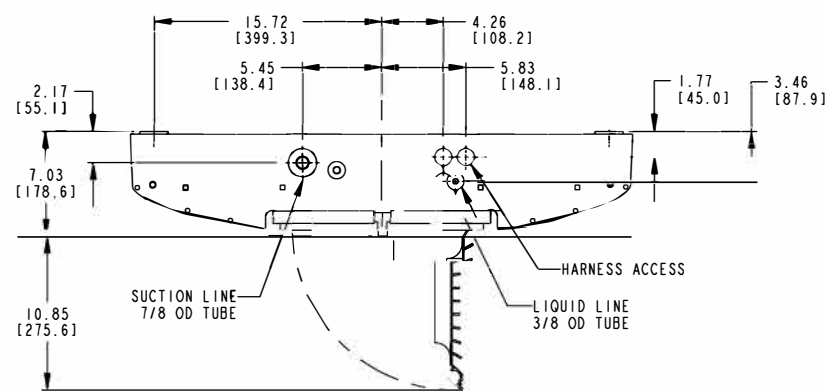
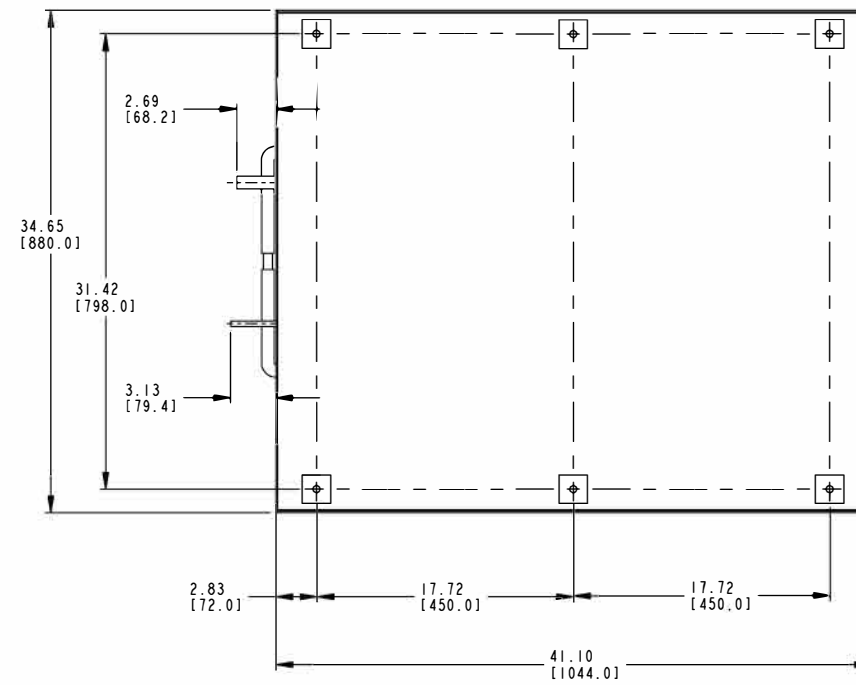


Carrier Transicold Division
Carrier Corporation
P.O. Box 4805
Syracuse, New York 13221

THIS DOCUMENT AND THE INFORMATION CONTAINED THEREIN IS PROPRIETARY TO CARRIER CORPORATION AND SHALL NOT BE USED OR DISCLOSED TO OTHERS, IN WHOLE OR IN PART, WITHOUT THE WRITTEN AUTHORIZATION OF CARRIER CORPORATION.

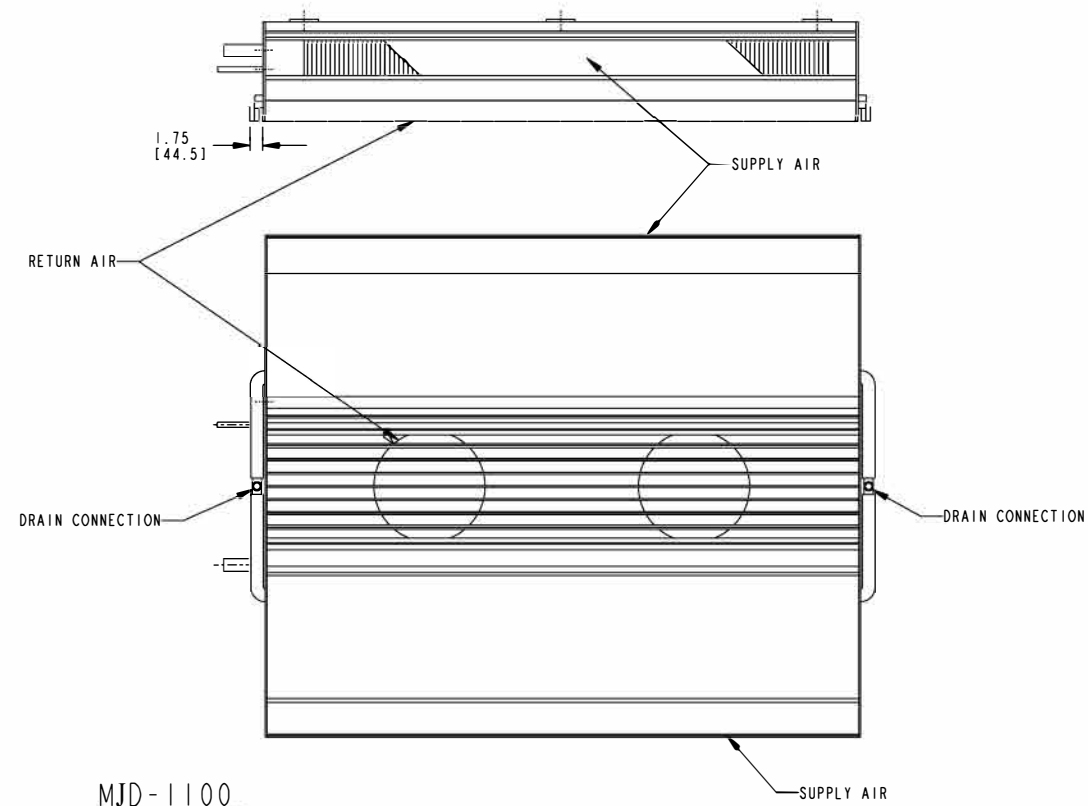
SUBMISSION OF THESE DRAWINGS OR DOCUMENTS DOES NOT CONSTITUTE PART PERFORMANCE OR ACCEPTANCE OF CONTRACT

CONVERSION CHART	
DECIMAL INCHES	FRACTIONAL INCHES
1.61	1-5/8
1.75	1-3/4
1.77	1-25/32
2.17	2-3/16
2.69	2-25/32
2.83	2-27/32
3.13	3-1/8
3.46	3-15/32
4.26	4-1/4
5.43	5-7/16
5.45	5-7/16
5.83	5-13/16
7.03	7-1/32
10.85	10-27/32
15.72	15-23/32
17.72	17-23/32
31.42	31-13/32
34.65	34-21/32
41.10	41-3/32



EVAPORATOR WEIGHT

MJD-1100 117LBS [53.1KG]



MJD-1100

SYM	REVISION RECORD	DATE	BY	CHK'D	APP'D	AUTH NO.
H	WAS SHEET 11	03-MAY-07	MFH			72N010GP07
E	ADDED DRAIN CALLOUTS. SHEET 11 WAS 10.	23OCT2006	ZMG			72N249GP06
-	INITIAL RELEASE.	07/19/05	HJC			72N014GN05

SUPERSEDES

TITLE

INSTALLATION INSTRUCTIONS
NAO VECTOR M/T (2 & 3 COMPARTMENT) REMOTE EVAPORATORS

DRAWING NO.	REV
98-02456	H
SHEET 12 OF 15	

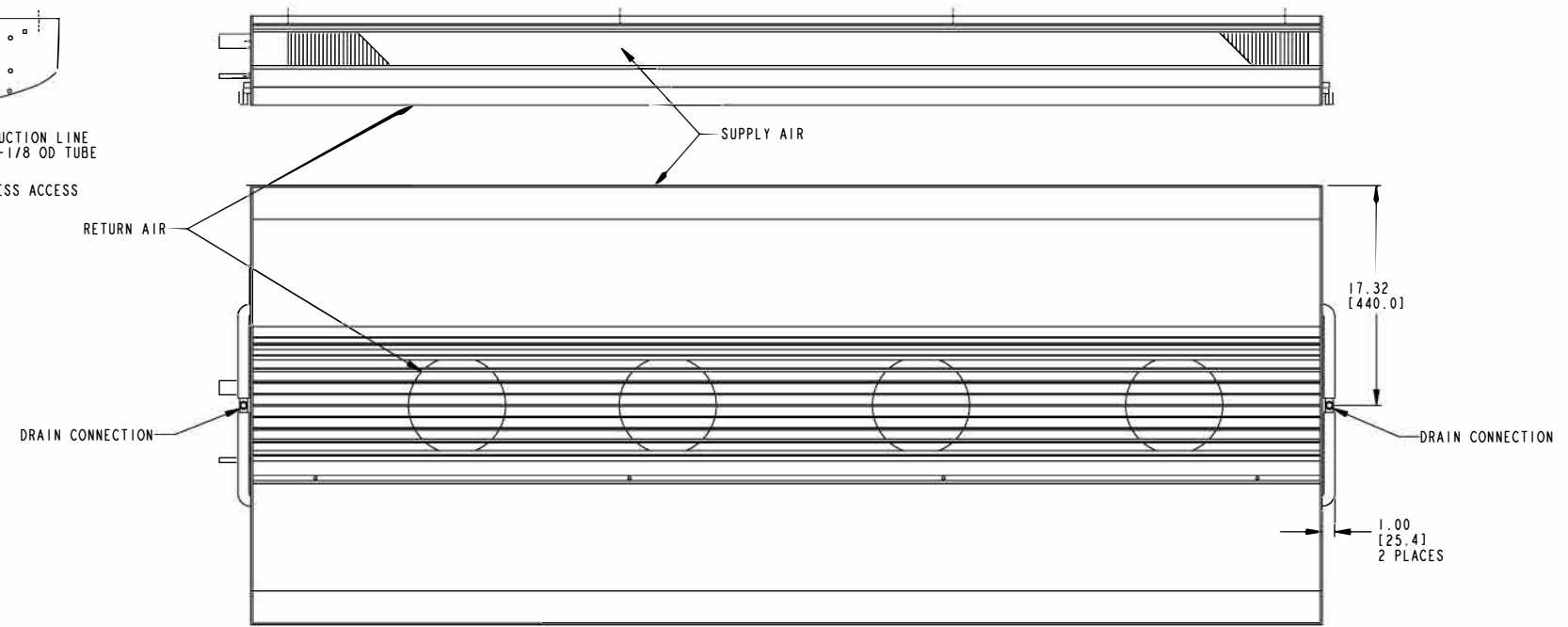
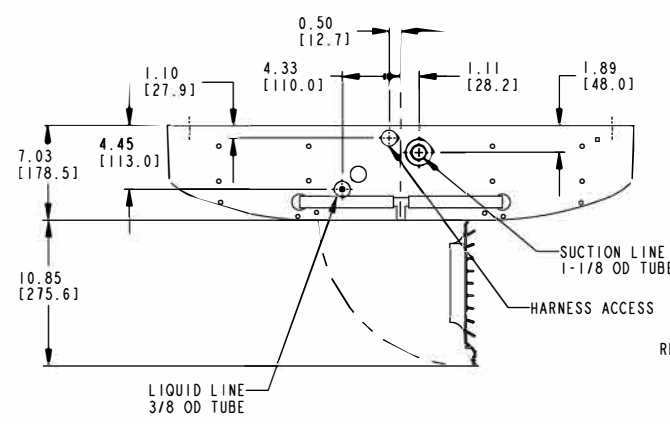
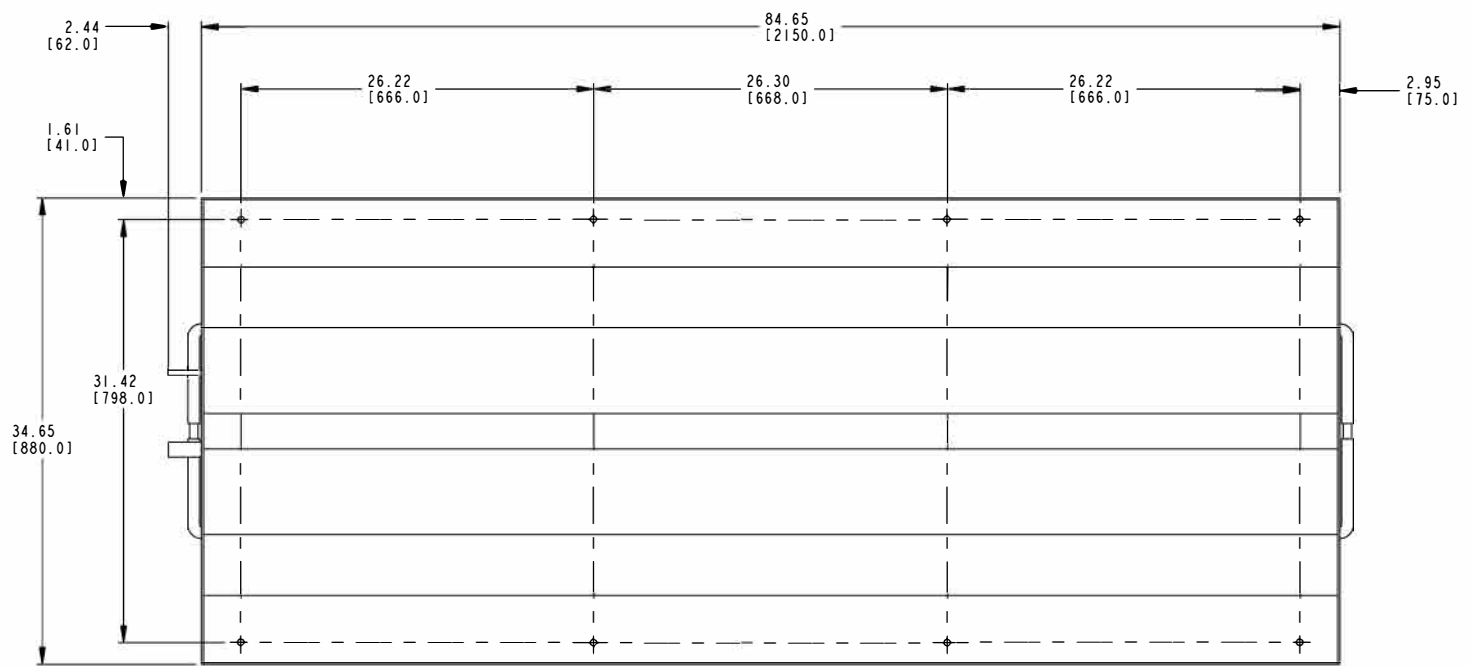


Carrier Transicold Division
Carrier Corporation
P.O. Box 4805
Syracuse, New York 13221

THIS DOCUMENT AND THE INFORMATION CONTAINED THEREIN IS PROPRIETARY TO CARRIER CORPORATION AND SHALL NOT BE USED OR DISCLOSED TO OTHERS, IN WHOLE OR IN PART, WITHOUT THE WRITTEN AUTHORIZATION OF CARRIER CORPORATION.

SUBMISSION OF THESE DRAWINGS OR DOCUMENTS DOES NOT CONSTITUTE PART PERFORMANCE OR ACCEPTANCE OF CONTRACT

CONVERSION CHART	
DECIMAL INCHES	FRACTIONAL INCHES
0.91	29/32
1.36	1-3/8
1.61	1-5/8
1.65	1-21/32
1.97	1-31/32
2.44	2-7/16
2.95	2-15/16
4.33	4-11/32
4.72	4-11/32
7.03	7-1/32
10.85	10-27/32
26.22	10-27/32
26.30	26-5/16
31.42	31-13/32
34.65	34-21/32
84.65	84-21/32



EVAPORATOR WEIGHT
MHD-2200 225LBS [102.1KG]

MJD-2200

SYM	REVISION RECORD	DATE	BY	CHK'D	APP'D	AUTH NO.
H	WAS SHEET 12, REVISED DIMS FOR PIPING & WIRING CONNECTIONS	03-MAY-07	MFM			72N010GP07
E	ADDED DRAIN CALLOUTS. SHEET 12 WAS 11.	23OCT2006	ZMG			72N249GP06
A	REMOVED REFERENCE TO ORS FOR LIQUID AND SUCTION CONNECTIONS	10/06/05	MFM			72N018GP05
-	INITIAL RELEASE.	07/19/05	HJC			72N014GN05

SUPERSEDES

TITLE

INSTALLATION INSTRUCTIONS
NAO VECTOR M/T (2 & 3 COMPARTMENT) REMOTE EVAPORATORS

DRAWING NO.	98-02456	REV	H
	SHEET 13 OF 15		

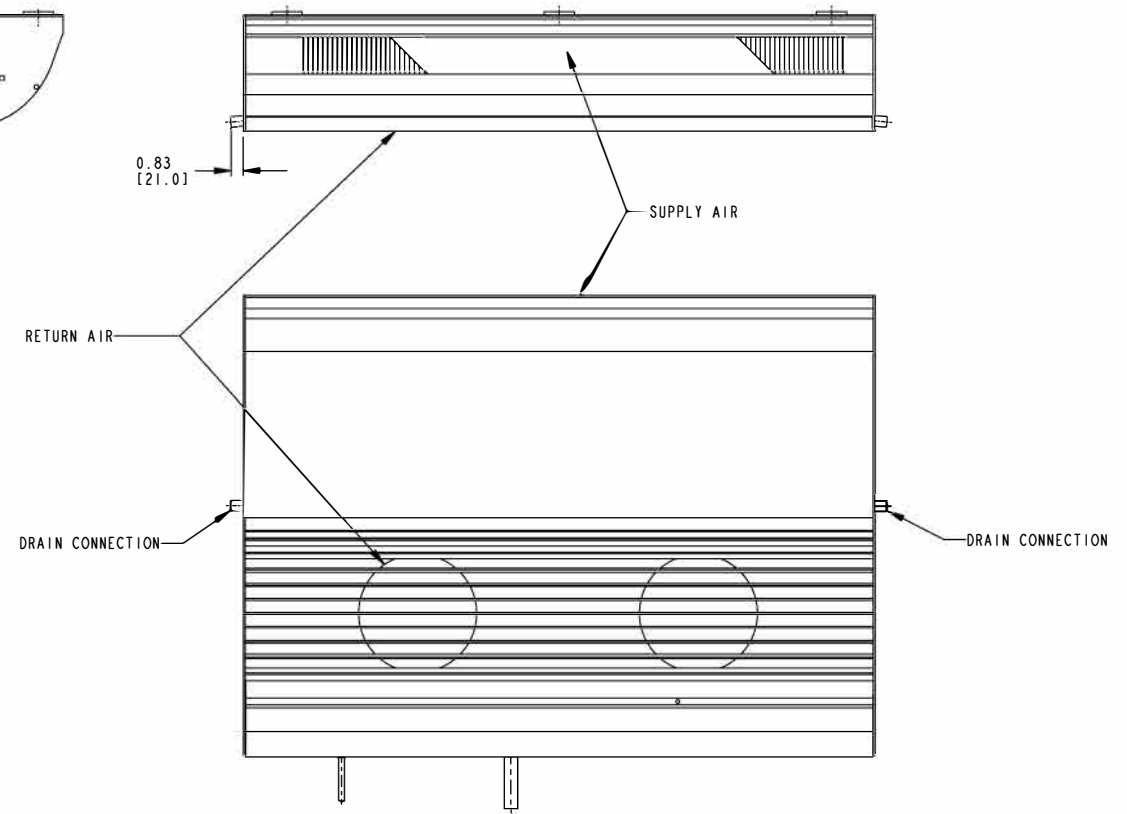
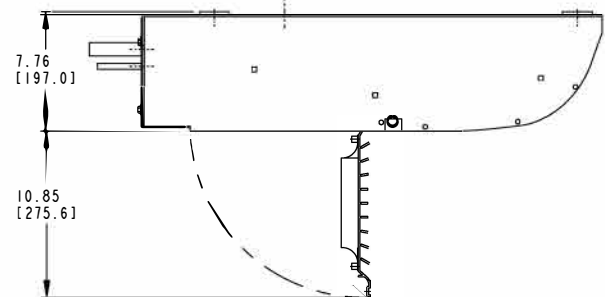
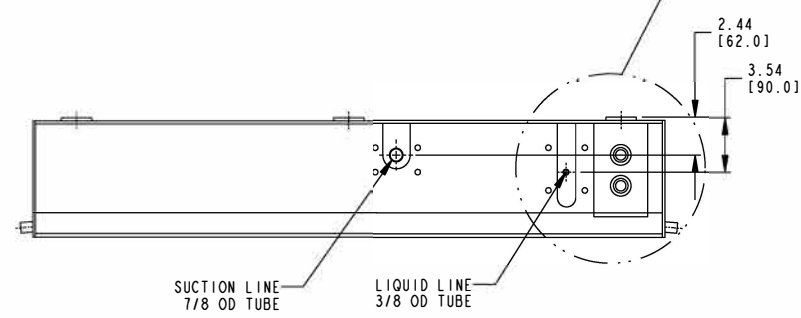
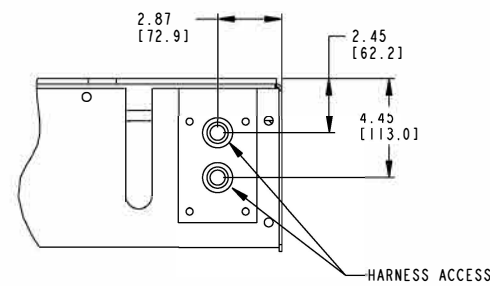
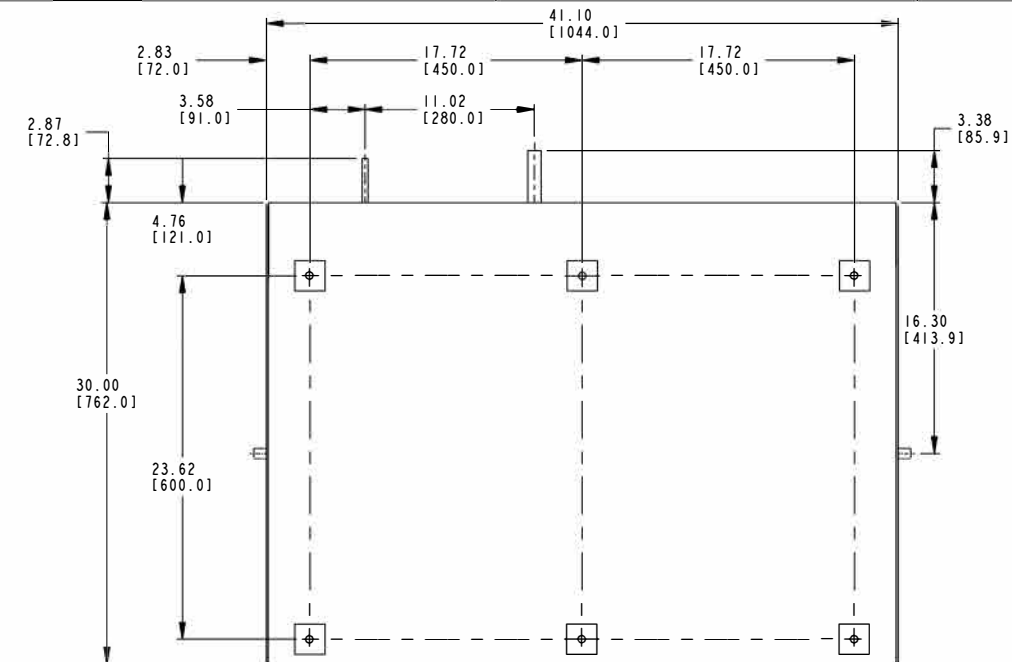


Carrier Transicold Division
Carrier Corporation
P.O. Box 4805
Syracuse, New York 13221

THIS DOCUMENT AND THE INFORMATION CONTAINED THEREIN IS PROPRIETARY TO CARRIER CORPORATION AND SHALL NOT BE USED OR DISCLOSED TO OTHERS, IN WHOLE OR IN PART, WITHOUT THE WRITTEN AUTHORIZATION OF CARRIER CORPORATION.

SUBMISSION OF THESE DRAWINGS OR DOCUMENTS DOES NOT CONSTITUTE PART PERFORMANCE OR ACCEPTANCE OF CONTRACT

CONVERSION CHART	
DECIMAL INCHES	FRACTIONAL INCHES
0.83	27/32
1.77	1-25/32
2.44	2-7/16
2.83	2-27/32
2.87	2-7/8
3.21	3-7/32
3.54	3-17/32
3.58	3-19/32
4.17	4-3/16
4.76	4-3/4
7.76	7-3/4
10.85	10-27/32
11.02	11-1/32
16.30	16-5/16
17.72	17-23/32
23.62	23-5/8
41.10	41-3/32



EVAPORATOR WEIGHT
MHS-1100 106LBS [48.1KG]

MJS-1100

SYM	REVISION RECORD	DATE	BY	CHK'D	APP'D	AUTH NO.
H	WAS SHEET 13	03-MAY-07	MFM			72N010GP07
G	ADDED VIEW TO SHOW NEW HARNESS ACCESS HOLES	27FEB07	MFM			72N006GP07
E	ADDED DRAIN CALLOUTS. SHEET 13 WAS 12.	23OCT2006	ZMG			72N249GP06
-	INITIAL RELEASE.	07/19/05	HJC			72N014GN05

SUPERSEDES

TITLE

INSTALLATION INSTRUCTIONS
NAO VECTOR M/T (2 & 3 COMPARTMENT) REMOTE EVAPORATORS

DRAWING NO. 98-02456
SHEET 14 OF 15

REV H

PRINT DISTRIBUTION

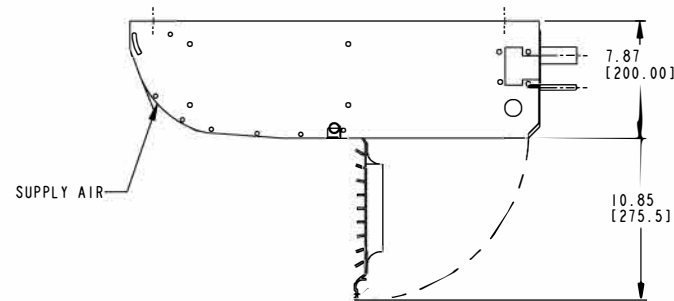
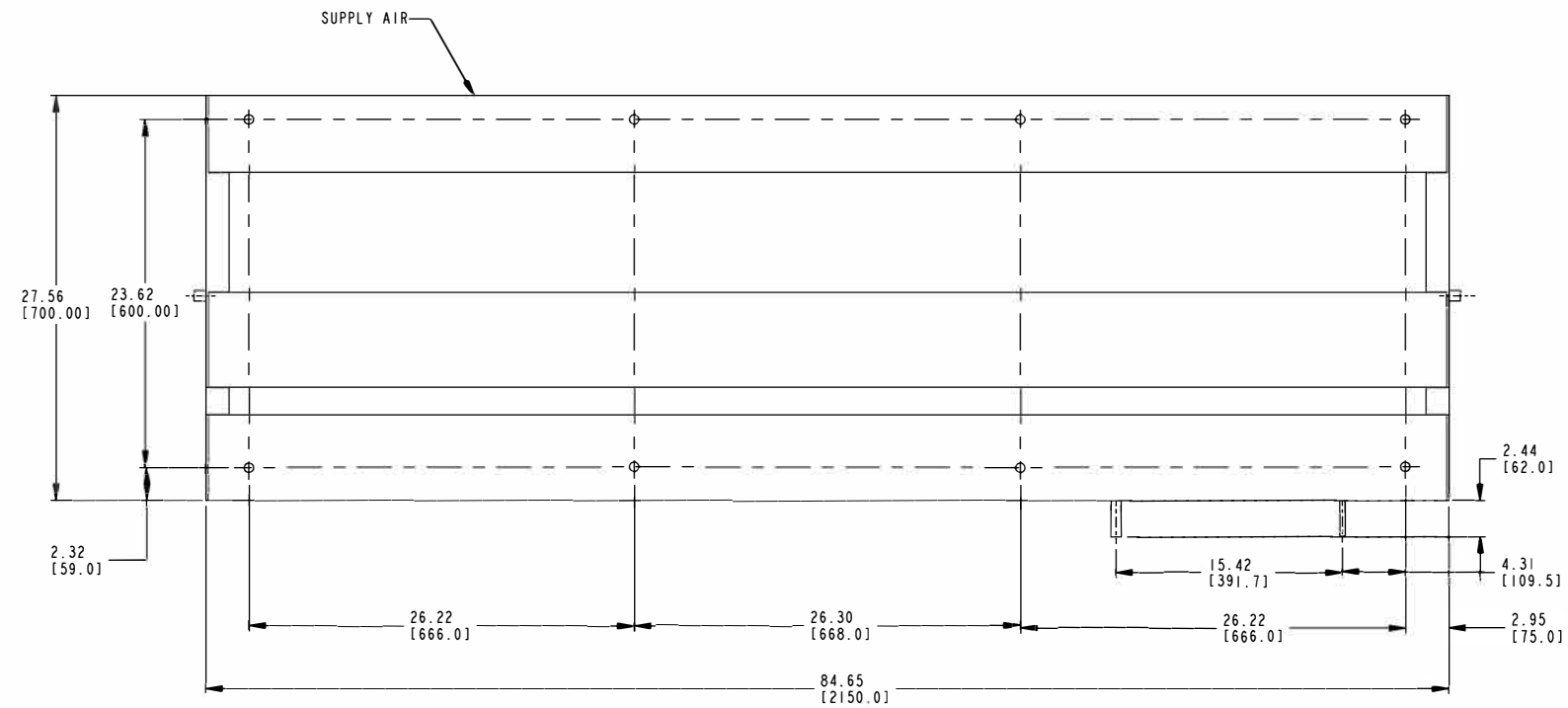


Carrier Transicold Division
Carrier Corporation
P.O. Box 4805
Syracuse, New York 13221

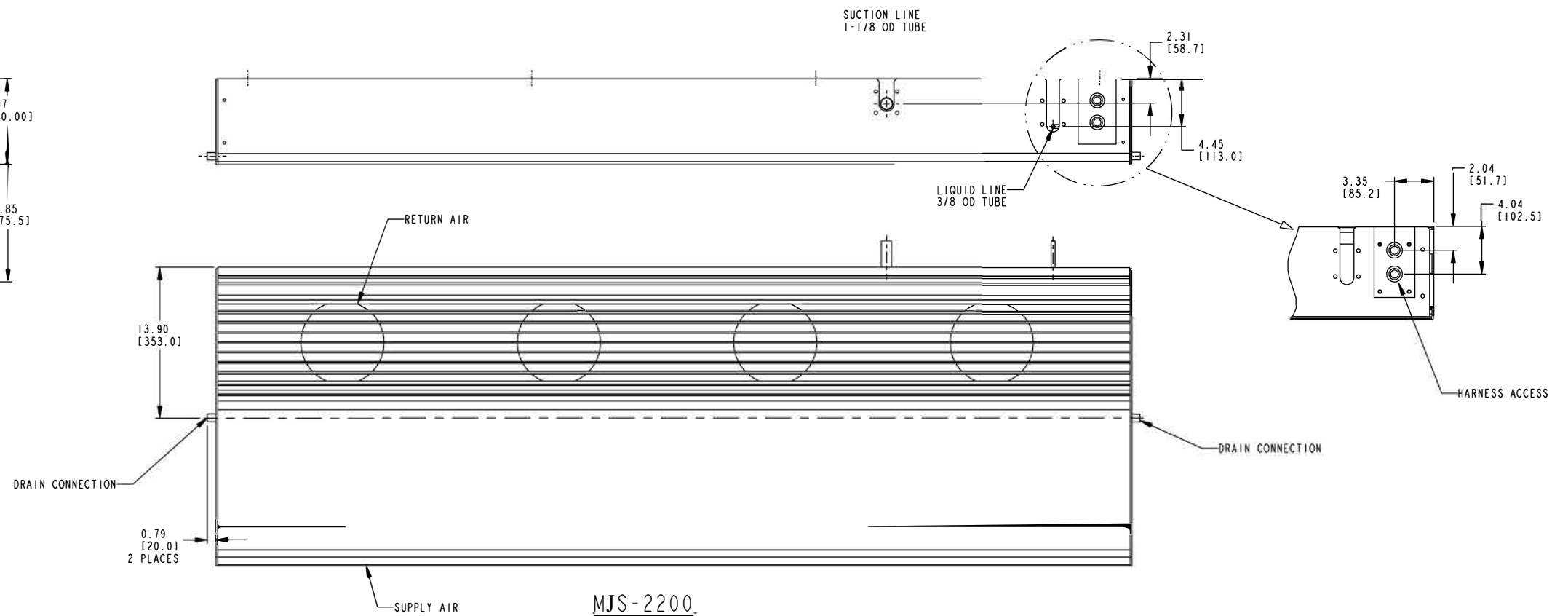
THIS DOCUMENT AND THE INFORMATION CONTAINED THEREIN IS PROPRIETARY TO CARRIER CORPORATION AND SHALL NOT BE USED OR DISCLOSED TO OTHERS, IN WHOLE OR IN PART, WITHOUT THE WRITTEN AUTHORIZATION OF CARRIER CORPORATION.

SUBMISSION OF THESE DRAWINGS OR DOCUMENTS DOES NOT CONSTITUTE PART PERFORMANCE OR ACCEPTANCE OF CONTRACT

CONVERSION CHART	
DECIMAL INCHES	FRACTIONAL INCHES
0.79	25/32
1.68	1-11/16
1.81	1-13/16
2.31	2-5/16
2.32	2-5/16
2.44	2-7/16
2.95	2-15/16
3.88	3-15/16
4.31	4-5/16
4.45	4-7/16
7.87	7-7/8
10.85	10-27/32
13.90	13-29/32
15.42	15-13/32
23.62	23-5/8
26.22	26-7/32
26.30	26-5/16
27.56	27-9/16
66.61	66-5/8
84.65	84-21/32



EVAPORATOR WEIGHT
MHS-2200 207LBS [98.0KG]



MJS-2200

SYM	REVISION RECORD	DATE	BY	CHK'D	APP'D	AUTH NO.
H	WAS SHEET 14	03-MAY-07	MFM			72N010GP07
G	ADDED VIEW TO SHOW NEW HARNESS ACCESS HOLES	27FEB07	MFM			72N006GP07

SUPERSEDES

TITLE

INSTALLATION INSTRUCTIONS
NAO VECTOR M/T (2 & 3 COMPARTMENT) REMOTE EVAPORATORS

DRAWING NO.	REV
98-02456	H
SHEET 15 OF 15	

PRINT DISTRIBUTION _____